



PRODUCT CATALOG 23-24

[www.lightzart.com](http://www.lightzart.com)

## ABOUT US

At Lightzart, we are Enhancing spaces with expertise, innovation, and a commitment to excellence. With 25 years of experience in the commercial lighting industry, we have established ourselves as leaders in providing cutting-edge lighting solutions.

Started with a simple goal: to make lighting better. Over the years, we have grown from strength to strength, expanding our reach to serve businesses of all sizes and industries. Our dedication to research, development, and staying ahead of industry trends has allowed us to continuously offer innovative lighting solutions that cater to the evolving needs of our clients.

We invite you to explore our lighting solutions and join us on a journey to redefine lighting - Commercial spaces.

**25**  
**YEARS**  
**OF EXPERTISE**

AQUA



FULL GLOW



FULL GLOW



EDGEGLOW



EDGEGLOW



GRID



GRID



CLAY



BRAVO



BRAVO



POLO



GLOSS



VISION



VISION PRO



SWING



HAMMER



TRACK CHANNEL



WAVE



DRIVE



LINEA



FLARE



IGNITE



HIGH BAY





Retail Store



Super Market



Furniture Store



Tiles Store



Hospitals



Marriage Hall



Mall



Commercial Building

# AQUA



**Antiglare**



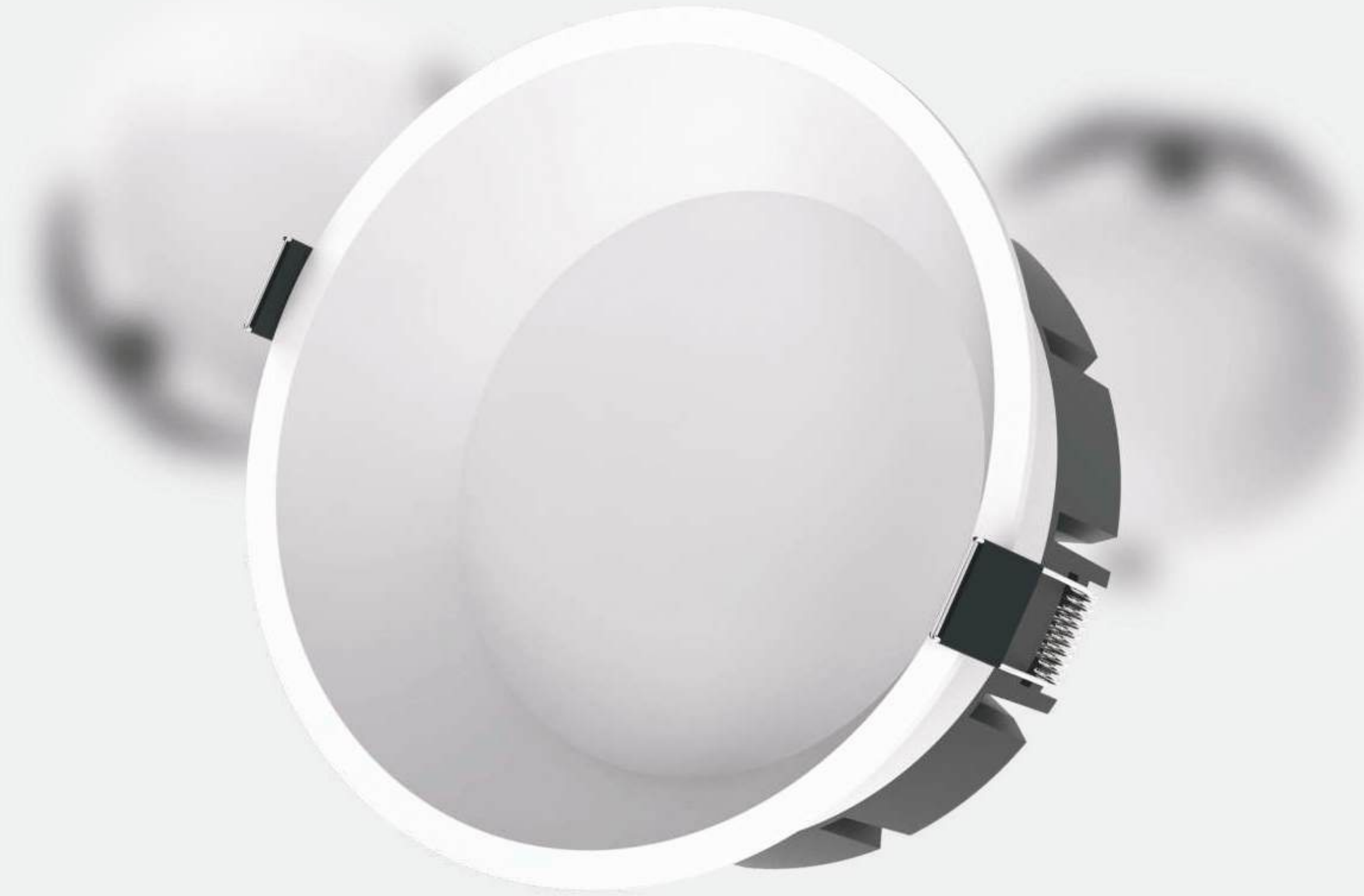
**Compact Design**



**Higher Lumen Output**

MODEL NO	WATTS	DIMENSION	CUTOUT	CCT (K)	BEAMANGLE
AQUA LAP -101	12W	96x96 mm	85 mm	3K/4K/6K	120°
AQUA LAP -102	18W	100x56 mm	95 mm	3K/4K/6K	120°
AQUA LAP -103	24W	124x96 mm	102 mm	3K/4K/6K	120°

# FULL GLOW



**Deep Recessed**  
Panel



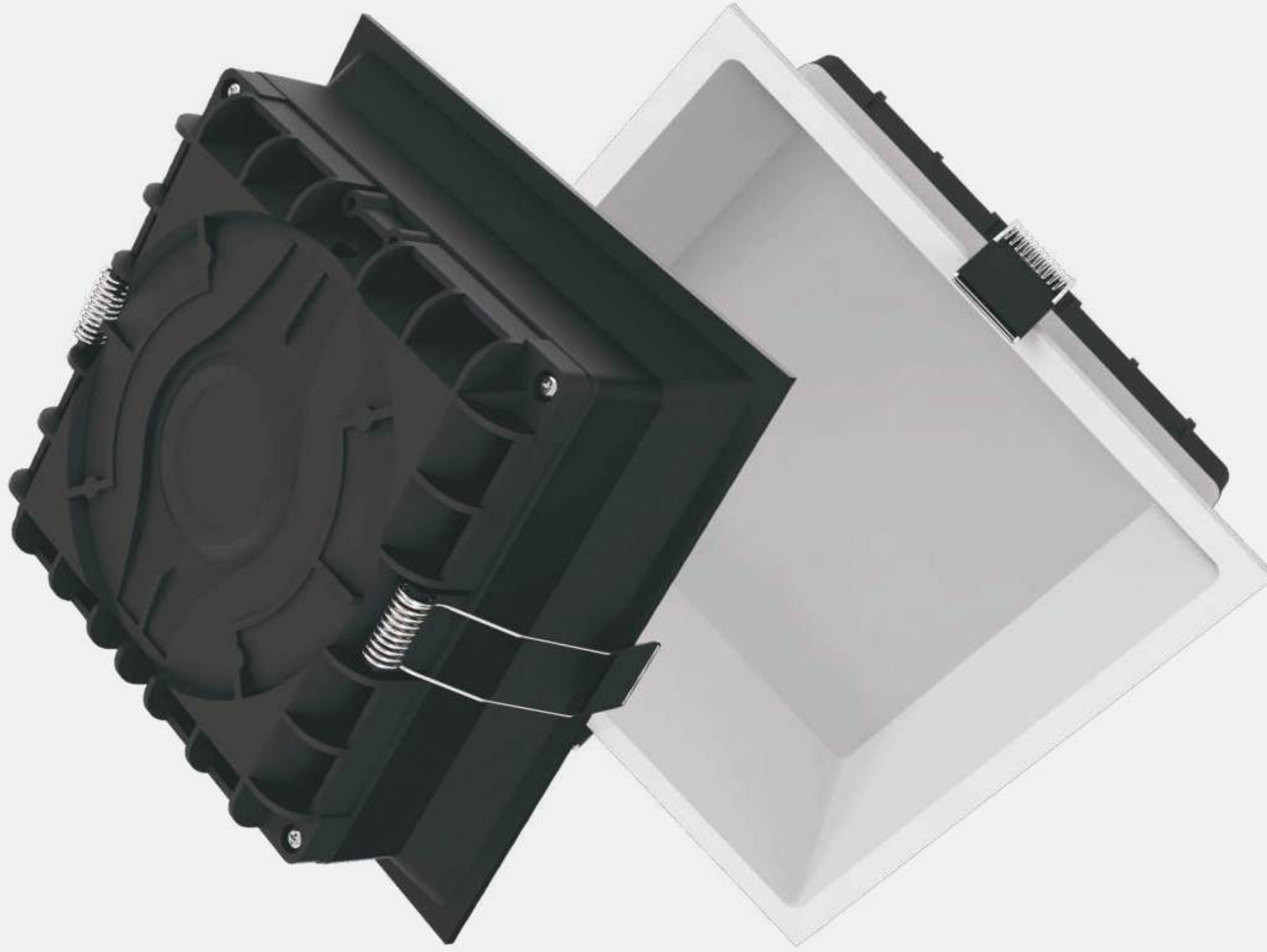
**Heat Sink**  
Durable Performance



**Fully Diffused**  
Luminaire

MODEL NO	WATTS	DIMENSION	CUTOUT	CCT (K)	BEAMANGLE
FULL GLOW LAP-201	12W	120x50 mm	110 mm	3K/4K/6K	110°
FULL GLOW LAP-202	18W	155x55 mm	145 mm	3K/4K/6K	110°
FULL GLOW LAP-203	24W	175x55 mm	165 mm	3K/4K/6K	110°

# FULL GLOW



**Deep Recessed**  
Panel



**Heat Sink**  
Durable Performance



**Fully Diffused**  
Luminaire

MODEL NO	WATTS	DIMENSION	CUTOUT	CCT (K)	BEAMANGLE
FULL GLOW LAP-204	12W	110x110x50 mm	100x100 mm	3K/4K/6K	110°
FULL GLOW LAP-205	18W	145x145x55 mm	135x135 mm	3K/4K/6K	110°

# EDGEGLOW



**Modern**  
Design



**Low**  
Glare



**Slim**  
Design

MODEL NO	WATTS	DIMENSION	CUTOUT	CCT (K)	BEAMANGLE
EDGEGLOW LAP-301	10W	140x20 mm	120 mm	3K/4K/6K	120°
EDGEGLOW LAP-302	15W	170x20 mm	150 mm	3K/4K/6K	120°
EDGEGLOW LAP-303	22W	220x20 mm	200 mm	3K/4K/6K	120°

# EDGE GLOW



**Modern**  
Design



**Low**  
Glare

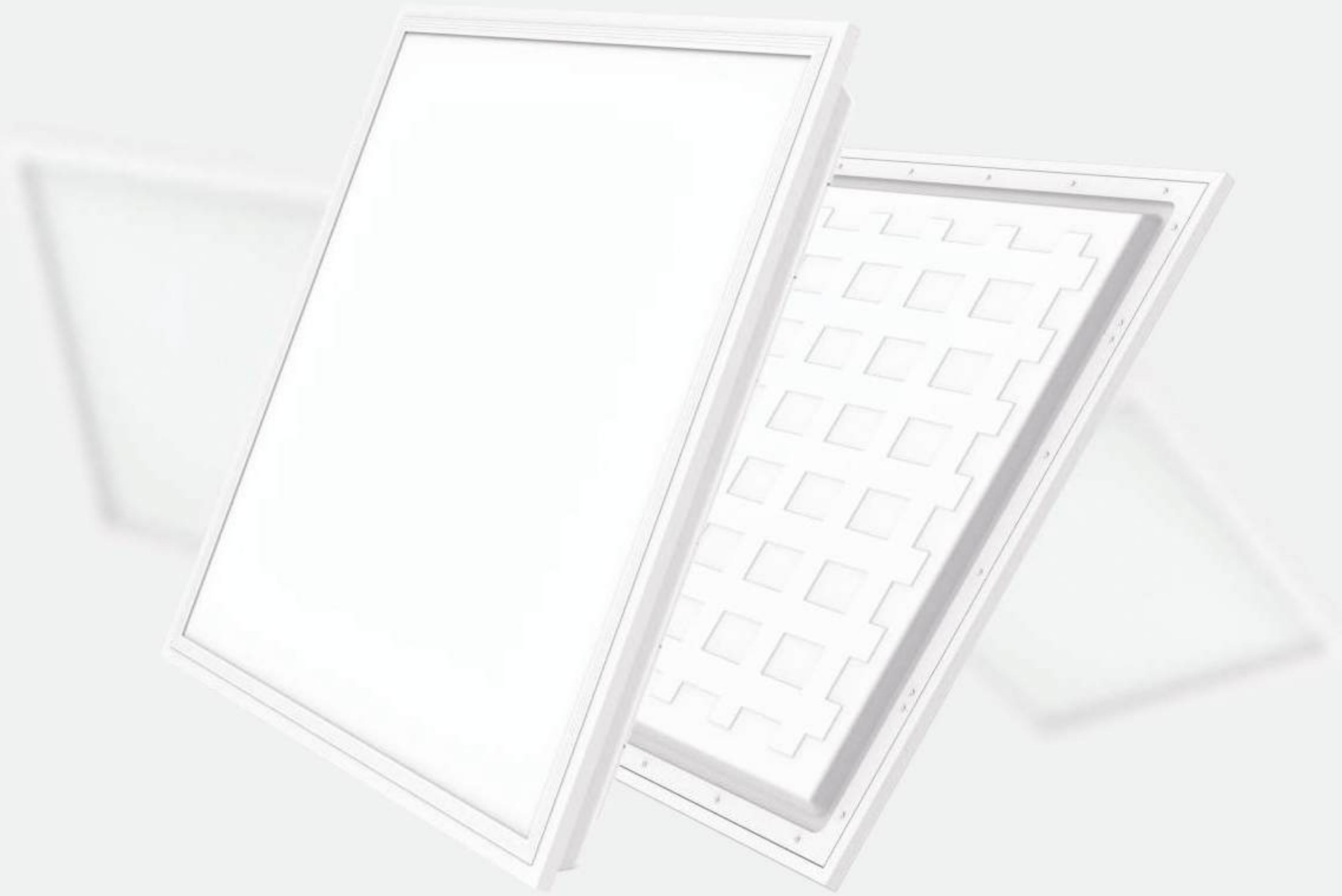


**Slim**  
Design

MODEL NO	WATTS	DIMENSION	CUTOUT	CCT (K)	BEAM ANGLE
EDGE GLOW LAP-304	10W	140x140x20mm	120 mm	3K/4K/6K	120°
EDGE GLOW LAP-305	15W	170x170x20mm	150 mm	3K/4K/6K	120°
EDGE GLOW LAP-306	22W	220x220x20mm	200 mm	3K/4K/6K	120°



# GRID



**Super Slim**  
Design



**Mounting**  
Provision for Clip



**Backlight**

MODEL NO	WATTS	CUTOUT	DIMENSION	CCT (K)	BEAMANGLE
GRID LAP-401	24W	295x295x35mm	300x300mm	3K/4K/6K	120°
GRID LAP-402	36W	595x595x35mm	600x600mm	3K/4K/6K	120°
GRID LAP-403	48W	595x595x35mm	600x600mm	3K/4K/6K	120°

# GRID



**Super Slim**  
Design



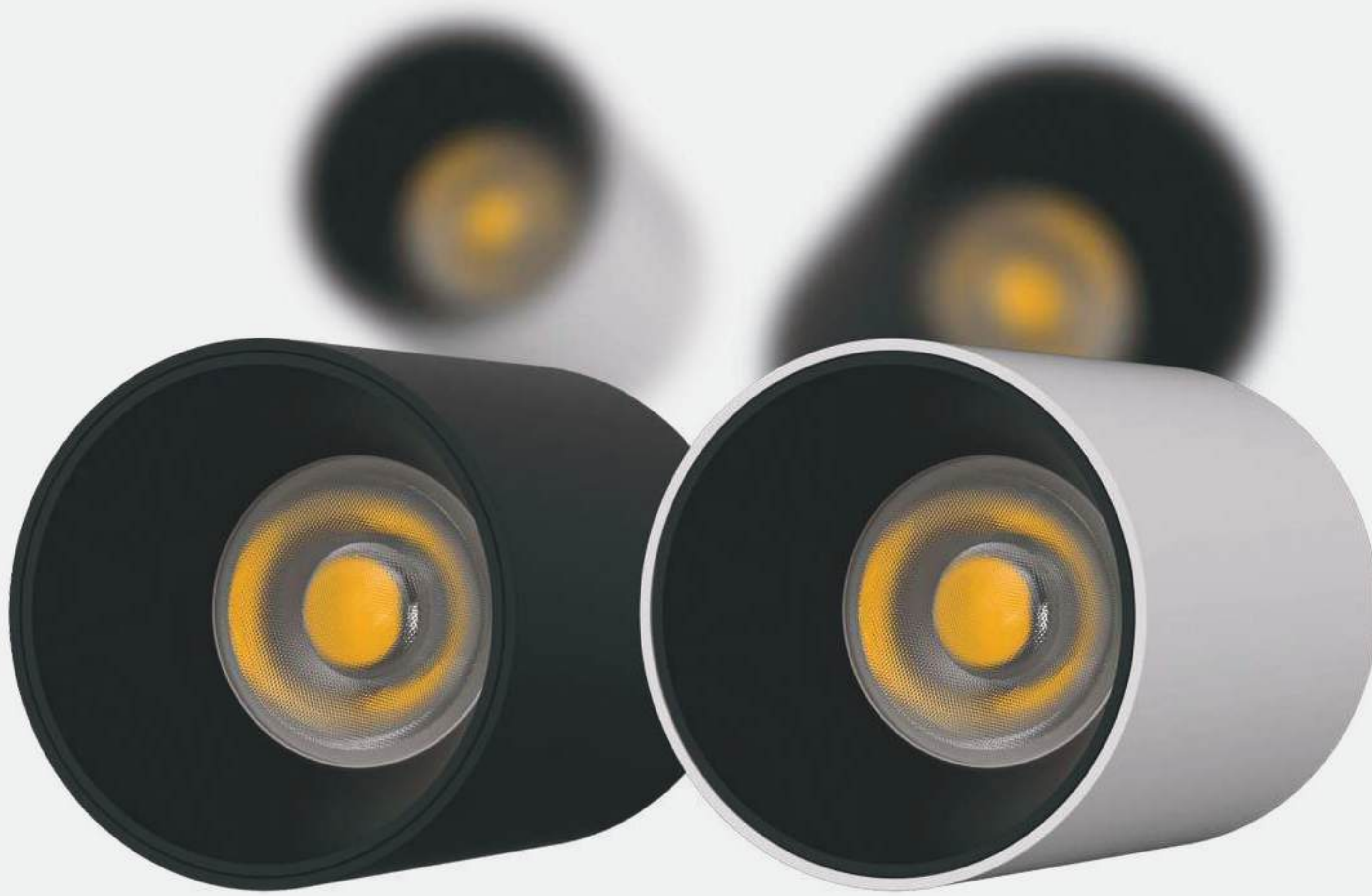
**Mounting**  
Provision for Clip



**Backlight**

MODEL NO	WATTS	CUTOUT	DIMENSION	CCT (K)	BEAMANGLE
GRID LAP-404	60W	1195x295x35mm	1200x300mm	3K/4K/6K	120°

# CLAY



**Mounting**  
Surface



**Antiglare**

MODEL NO	WATTS	DIMENSION	CCT (K)	BEAMANGLE
CLAY LAS-601	7W	56x75mm	3K/4K/6K	38°
CLAY LAS-602	12W	64x85mm	3K/4K/6K	38°
CLAY LAS-603	20W	70x95mm	3K/4K/6K	38°

# BRAVO



**Mounting**  
Surface



**Wall**  
Mounting



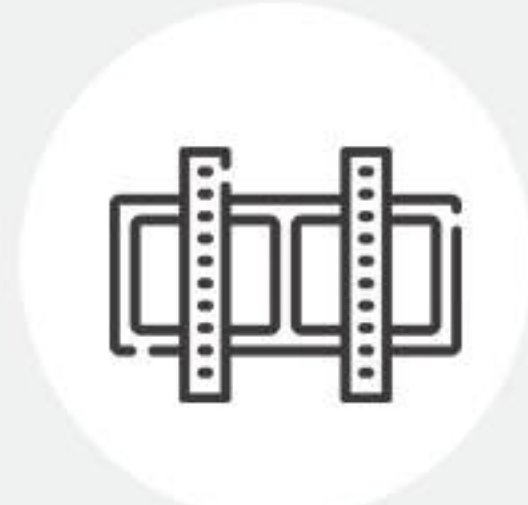
**Fully Diffused**  
Luminaire

MODEL NO	WATTS	DIMENSION	CCT (K)	BEAMANGLE
BRAVO LAS-501	8W	100mm	3K/4K/6K	120°
BRAVO LAS-502	15W	125mm	3K/4K/6K	120°
BRAVO LAS-503	22W	150mm	3K/4K/6K	120°

# BRAVO



**Mounting**  
Surface



**Wall**  
Mounting



**Fully Diffused**  
Luminaire

MODEL NO	WATTS	DIMENSION	CCT (K)	BEAMANGLE
BRAVO LAS-504	8W	100x100mm	3K/4K/6K	120°
BRAVO LAS-505	15W	125x125mm	3K/4K/6K	120°
BRAVO LAS-506	22W	150x150mm	3K/4K/6K	120°



# POLO



**Deep Recessed**  
Luminaire



**Antiglare**



**Heat Sink**  
Durable Performance

MODEL NO	WATTS	DIMENSION	CUTOUT	CCT (K)	BEAMANGLE
POLO LAC-701	7W	70x65mm	60 mm	3K/4K/6K	38°
POLO LAC-702	12W	85x75mm	76 mm	3K/4K/6K	38°
POLO LAC-703	15W	85x75mm	76 mm	3K/4K/6K	38°
POLO LAC-704	20W	95x90mm	85 mm	3K/4K/6K	38°
POLO LAC-705	25W	95x90mm	85 mm	3K/4K/6K	38°
POLO LAC-706	30W	115x105mm	105 mm	3K/4K/6K	38°

# GLOSS



**Deep Recessed**  
Luminaire



**No Dark**  
Ceiling

MODEL NO	WATTS	DIMENSION	CUTOUT	CCT (K)	BEAMANGLE
GLOSS LAC-801	7W	70x60mm	60 mm	3K/4K/6K	38°
GLOSS LAC-802	12W	85x65mm	75 mm	3K/4K/6K	38°
GLOSS LAC-803	20W	95x80mm	85 mm	3K/4K/6K	38°

# VISION



**Smart**  
Engineering



**Long**  
Life



**Heat Sink**  
Durable Performance

MODEL NO	WATTS	DIMENSION	CUTOUT	CCT (K)	BEAMANGLE
VISION LAC-901	3W	61x53mm	55 mm	3K/4K/6K	60°
VISION LAC-902	6W	76x68mm	70 mm	3K/4K/6K	60°
VISION LAC-903	12W	76x68mm	70 mm	3K/4K/6K	60°
VISION LAC-904	16W	96x84mm	90 mm	3K/4K/6K	60°
VISION LAC-905	24W	118x89mm	110 mm	3K/4K/6K	60°
VISION LAC-906	30W	118x89mm	110 mm	3K/4K/6K	60°
VISION LAC-907	40W	138x90mm	130 mm	3K/4K/6K	60°

# VISION PRO



MODEL NO	WATTS	DIMENSION	CUTOUT	CCT (K)	BEAMANGLE
VISION PRO LAC-1001	12W/15W	82 mm	72 mm	3K/4K/6K	36°/60°
VISION PRO LAC-1002	22W	106 mm	88 mm	3K/4K/6K	36°/60°
VISION PRO LAC-1003	30W	114 mm	100 mm	3K/4K/6K	36°/60°
VISION PRO LAC-1004	40W	119 mm	110 mm	3K/4K/6K	36°/60°

# SWING



**Unique**  
Design



**Head**  
Rotation

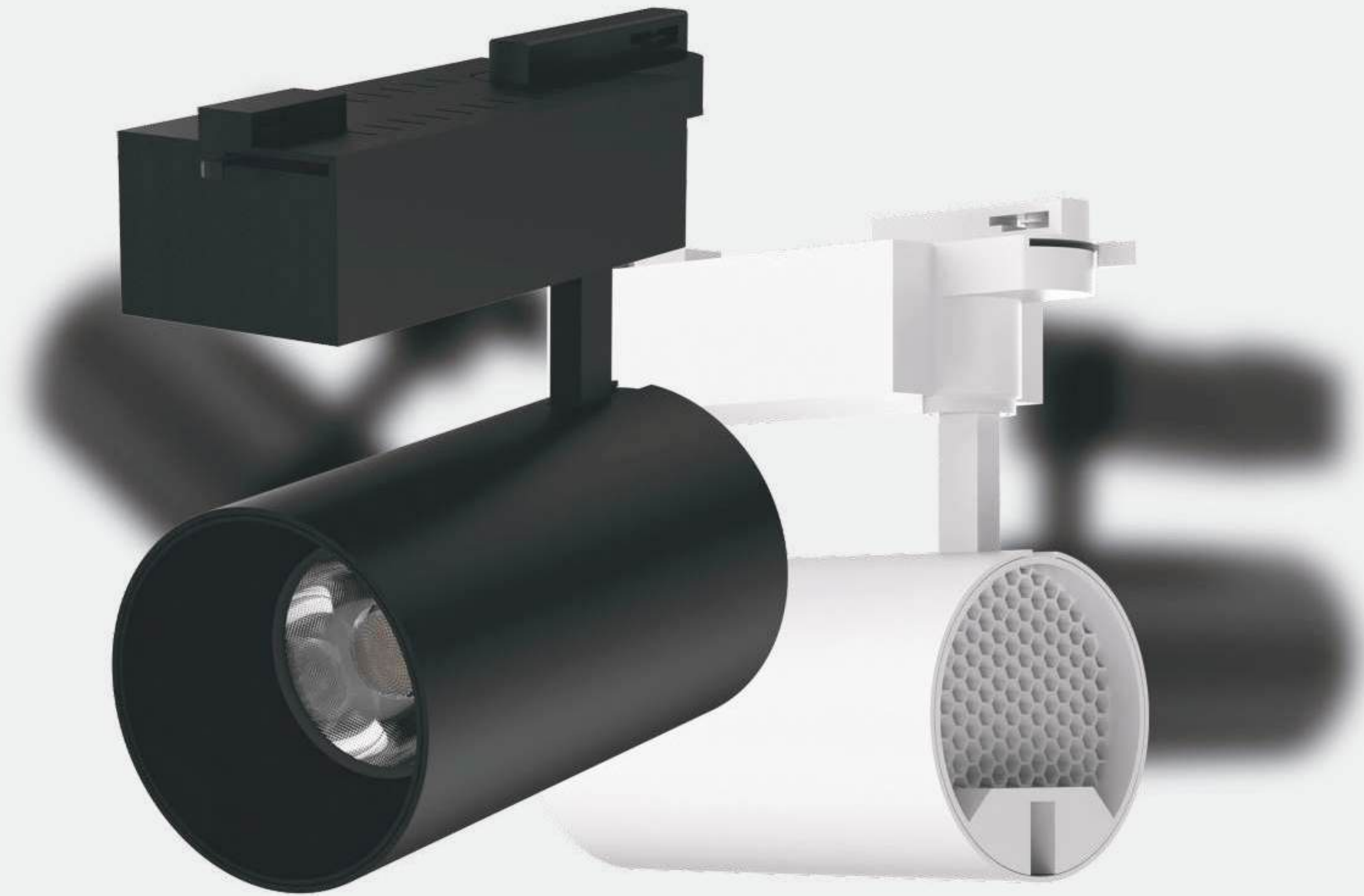


**Focused**  
Beam

MODEL NO	WATTS	DIMENSION	CUTOUT	CCT (K)	BEAMANGLE
SWING LAT-121	20W	135mm	115 mm	3K/4K/6K	38°
SWING LAT-122	30W	165mm	150 mm	3K/4K/6K	38°
SWING LAT-123	40W	165mm	150 mm	3K/4K/6K	38°



# HAMMER



**Flexible**  
Rotation



**Focused**  
Beam

MODEL NO	WATTS	CCT (K)	BEAM ANGLE
HAMMER LAT-221	10W	3K/4K/6K	38°
HAMMER LAT-222	20W	3K/4K/6K	38°
HAMMER LAT-223	30W	3K/4K/6K	38°

# TRACK CHANNEL



MODEL NO	DIMENSION
TRACK CHANNEL LAT-224 1MTR	1000x35x18mm
TRACK CHANNEL LAT-225 1MTR	2000x35x18mm

# WAVE



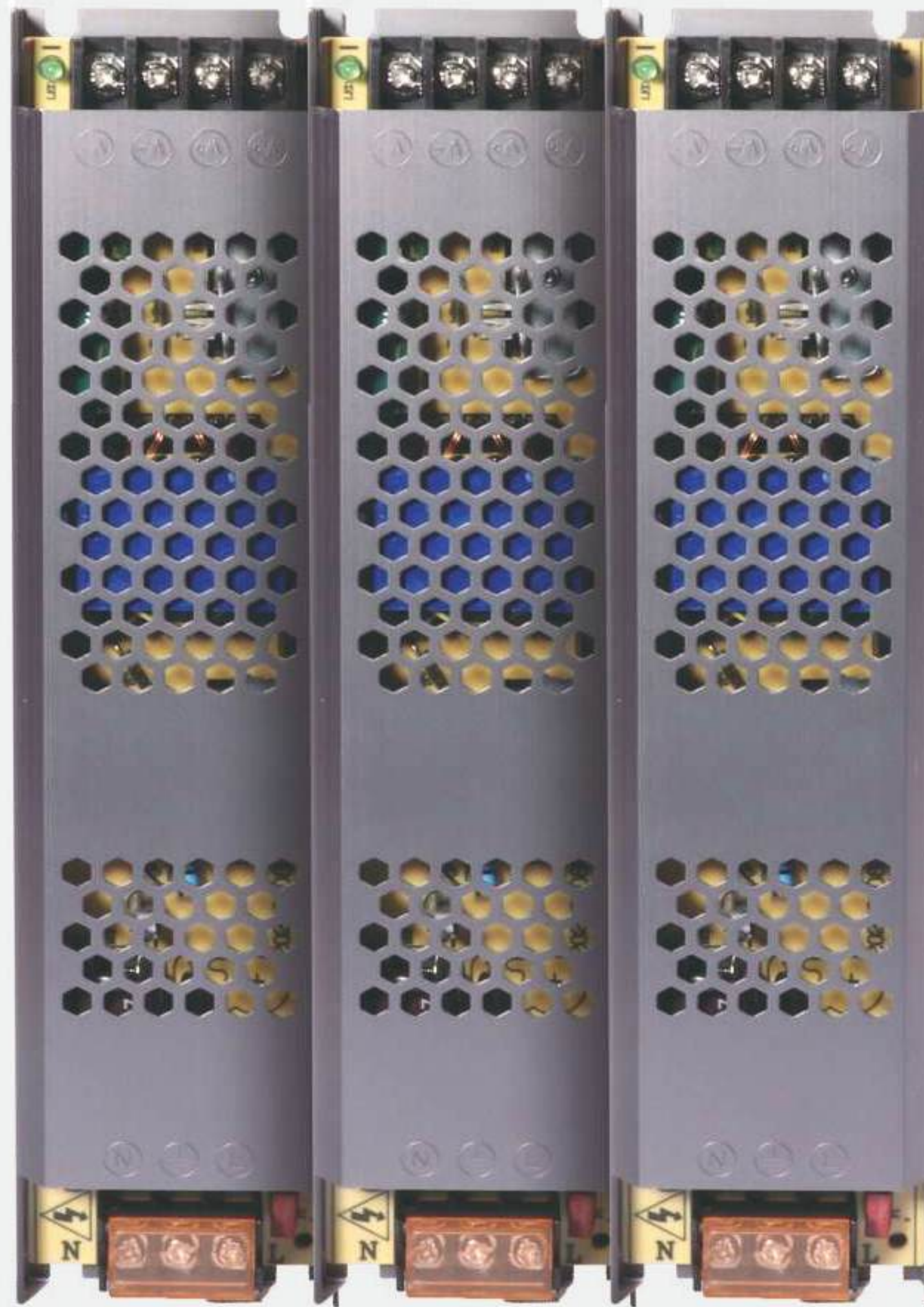
**Uniform  
Lighting**



**Longlife**

MODEL NO	LED	VOLT	WATTS	CCT (K)
WAVE LAL-321	60LED	12V	6W/MTR	3K/4K/6K
WAVE LAL-322	120LED	12V	12W/MTR	3K/4K/6K
WAVE LAL-323	180LED	12V	18W/MTR	3K/4K/6K
WAVE LAL-324	240LED	12V	24W/MTR	3K/4K/6K

# DRIVE



MODEL NO	AMPS	VOLT	WATTS
DRIVE LAL-421	5AMPS	12V	60W
DRIVE LAL-422	10AMPS	12V	120W
DRIVE LAL-423	12.5AMPS	12V	150W
DRIVE LAL-424	16.5AMPS	12V	198W
DRIVE LAL-425	25AMPS	12V	300W
DRIVE LAL-426	33AMPS	12V	396W

# LINEA

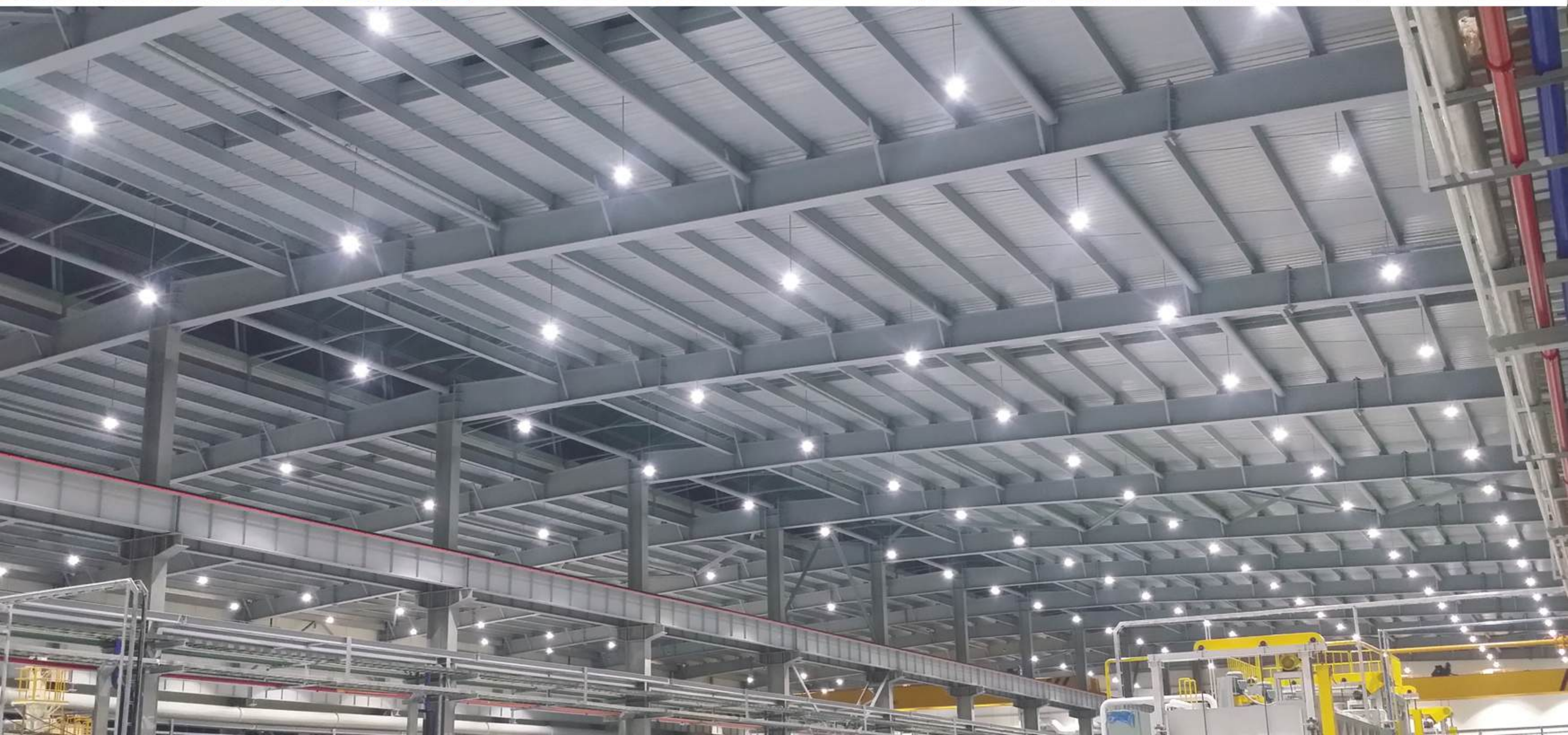
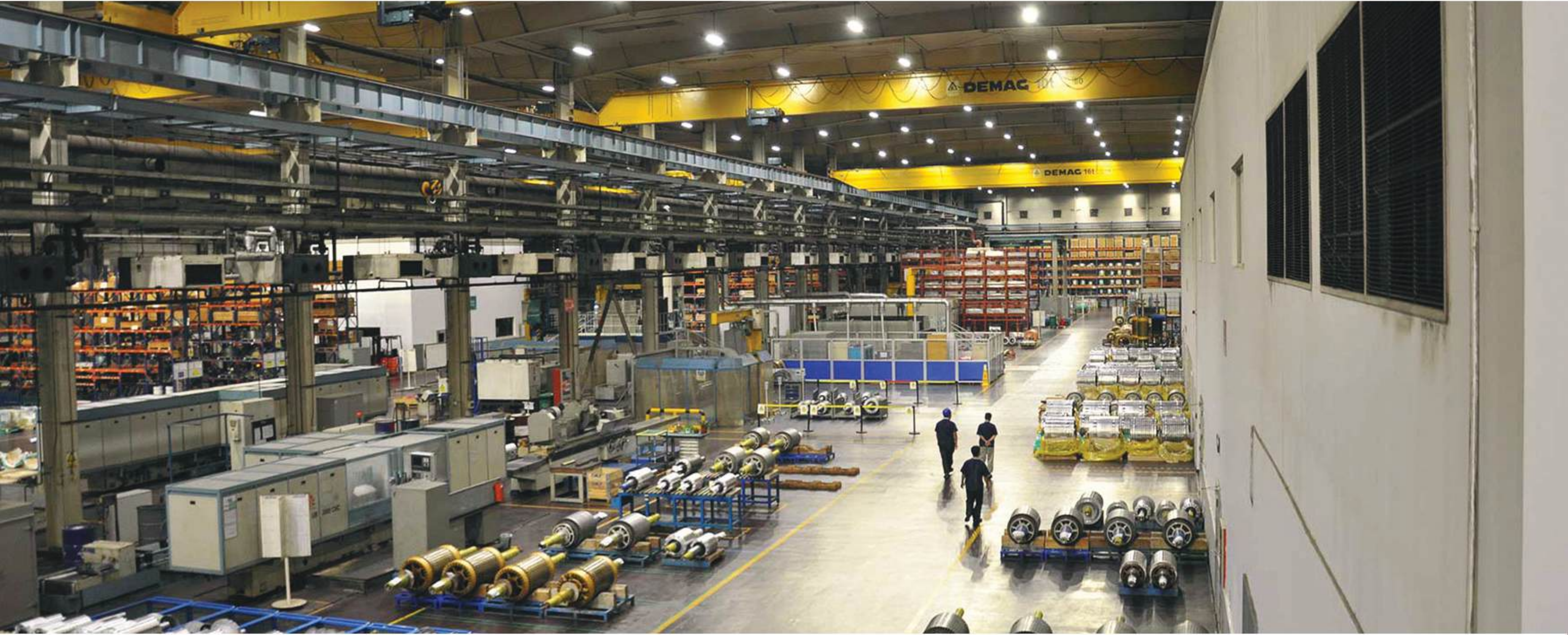


**Uniform**  
Lighting



**Geometric**  
Design

MODEL NO	WATTS	DIMENSION	CCT (K)	BEAMANGLE
LINEA LAL-521	48W	1200x50x75mm	3K/4K/6K	120°
LINEA LAL-522	72W	2400x50x75mm	3K/4K/6K	120°



# FLARE



MODEL NO	WATTS	IP RATING	SPD
FLARE LAO-721	24W	IP65	4KV
FLARE LAO-722	36W	IP65	4KV
FLARE LAO-723	50W	IP65	4KV
FLARE LAO-724	100W	IP65	6KV
FLARE LAO-725	150W	IP65	6KV

# IGNITE



MODEL NO	WATTS	IP RATING	SPD
IGNITE LAO-821	30W	IP65	4KV
IGNITE LAO-822	50W	IP65	4KV
IGNITE LAO-823	100W	IP65	4KV
IGNITE LAO-824	150W	IP65	6KV
IGNITE LAO-825	200W	IP65	6KV

# HIGH BAY



MODEL NO	WATTS	LUMENS	SPD	IP	BEAMANGLE
HIGH BAY LAO-921	100W	11000lms	6KV	IP66	38°
HIGH BAY LAO-922	150W	16500lms	6KV	IP66	38°
HIGH BAY LAO-923	200W	22000lms	6KV	IP66	38°



Setting the standard in Commercial Lighting